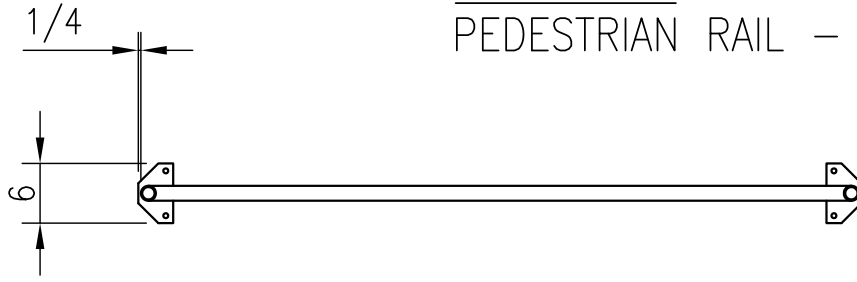
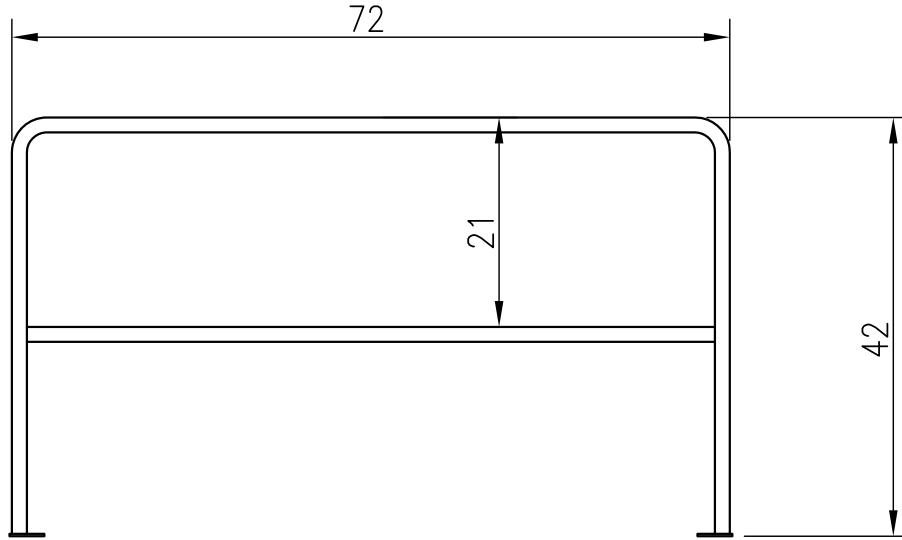


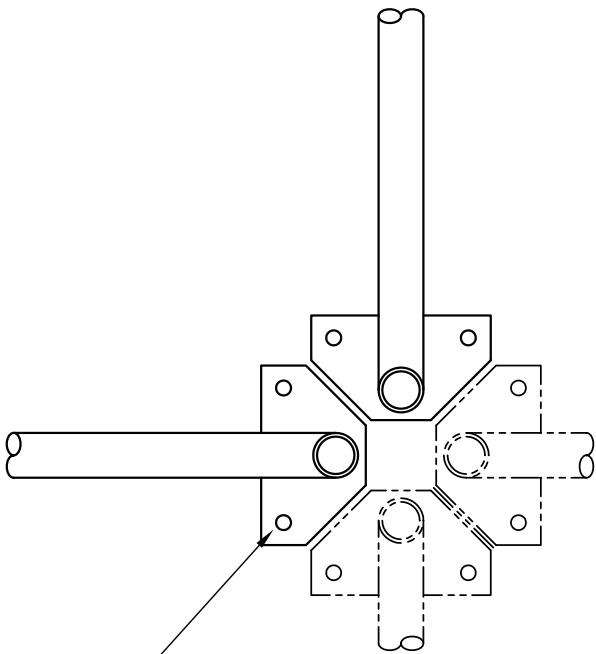
VALUE RAIL
PEDESTRIAN RAIL - 6 FT. SECTION



Surface mount railing used at ground level to define areas and direct foot traffic. Rails are not designed for use on elevated floor edge.

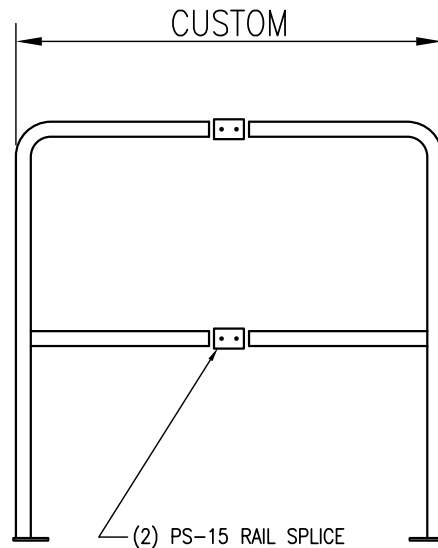


BASE PLATES ALLOW FOR CORNERS AND INTERSECTIONS.



(4) 3/8" ANCHORS REQUIRED PER RAIL
NOT INCLUDED

MODIFY RAILS TO CUSTOM SIZE BY CUTTING AND INSTALLING (2) RAIL SPLICES.



(2) PS-15 RAIL SPLICE